

SIRAX CT2xx Bushing-type Current Transformer

Description

Bushing-type current transformers are used wherever high alternating currents are to be detected and transformed into small, harmless and measurable currents. They convert primary rated currents into secondary, rated currents of 5 A or 1 A, which can be used by measuring systems.

Properties

- Burst-resistant plastic housing made from polycarbonate
- Hardly inflammable and self-extinguishing according to UL94 V0
- Manipulation protection of the connections by means of sealable covers
- Compact design allows for use in difficult to reach places with limited space requirements
- Easy and quick assembly
- High accuracy class up to 0.2S
- Various mounting options such as wall, cable or busbar mounting



Application

Application possibilities for bushing-type current transformers can be found in almost all market segments and sectors. Wherever an adaptation of the primary measured variable to the input nominal size of the connected measuring devices is necessary. They are ideally suited for the construction of new plants.

Technical data

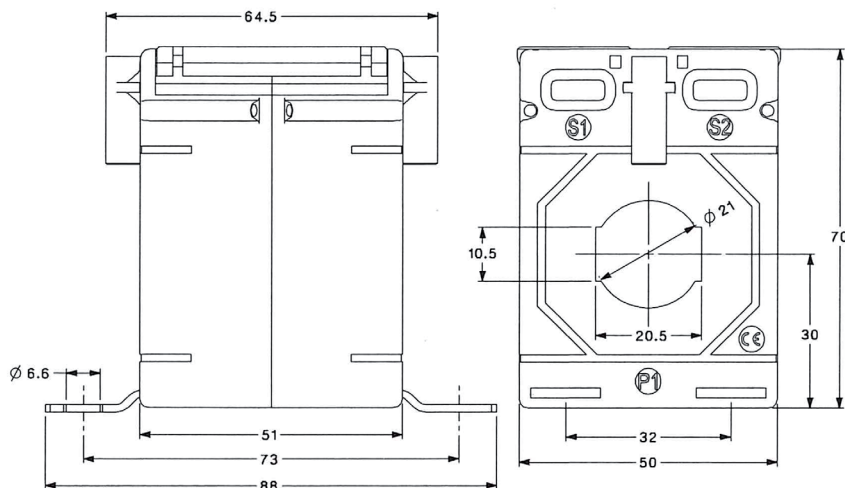
	SIRAX CT200	SIRAX CT210	SIRAX CT220	SIRAX CT230	SIRAX CT240
Round conductor	∅ 21 mm	∅ 28 mm	∅ 30.5 mm	∅ 51 mm	–
Busbar	20 x 10 mm	30 x 10 mm 20 x 20 mm 2 x 15 x 10 mm	30 x 10 mm 25 x 25 mm 2 x 20 x 10 mm	60 x 12 mm 50 x 30 mm 50 x 20 mm	100 x 55 mm
Width / Height / depth	50 / 70 / 51 mm	50 / 70 / 51 mm	62 / 78 / 40 mm	86 / 110 / 45 mm	130 / 170 / 80 mm
Primary current I_{pr}	50 A ... 300 A	100 A ... 600 A	100 A ... 800 A	300 A ... 1600 A	600 A ... 3000 A
Secondary current I_{sr}	5 A or 1 A				5 A
Class of accuracy	0.5	0.5	0.2S; 0.5	0.2S; 0.5	0.2
Test voltage	4 kV; 50 Hz; 1 min				
Nominal frequency	50 ... 60 Hz				
Rated insulation level U_m	0.72 kV				
Rated power S_r	1 ... 20 VA				
Thermal short circuit current I_{th}	$60 \times I_N$				
Dynamic short circuit current I_{dyn}	$2.5 \times I_{th}$				
Insulation class	E (max. 120 °C)				
Instrument security factor FS	FS5; FS10				
Housing material	Polycarbonate				
Flammability class	UL94 V-0, self-extinguishing, non-dripping, halogen-free				
Body protection IP	IP20				
Ambient temperature	-20 °C ... +45 °C				
Standard accepted	IEC 61869-1; IEC 61869-2				

SIRAX CT2xx

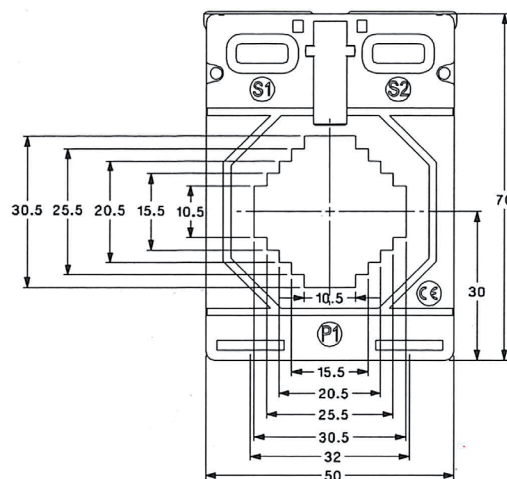
Bushing-type Current Transformer

Dimensions

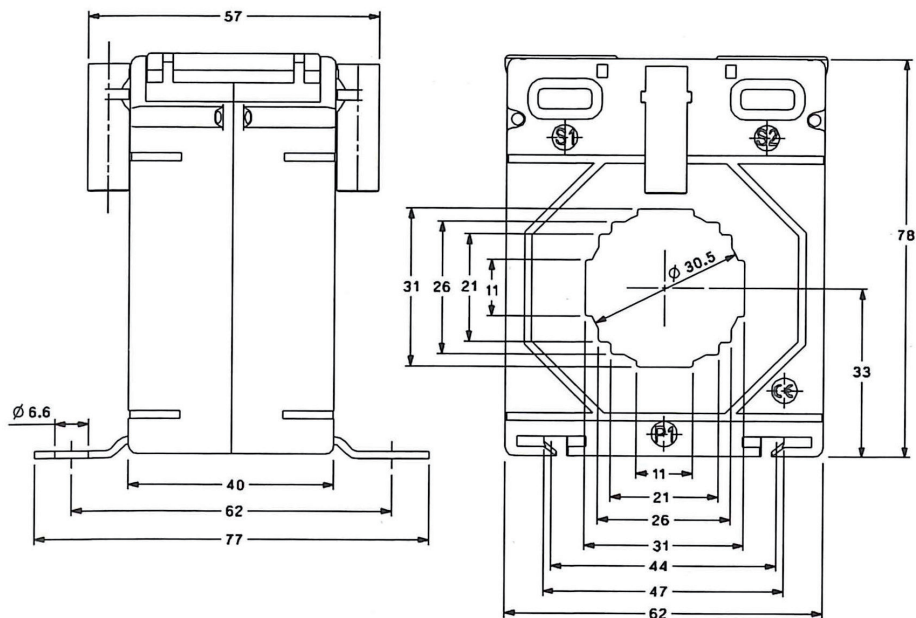
SIRAX CT200



SIRAX CT210



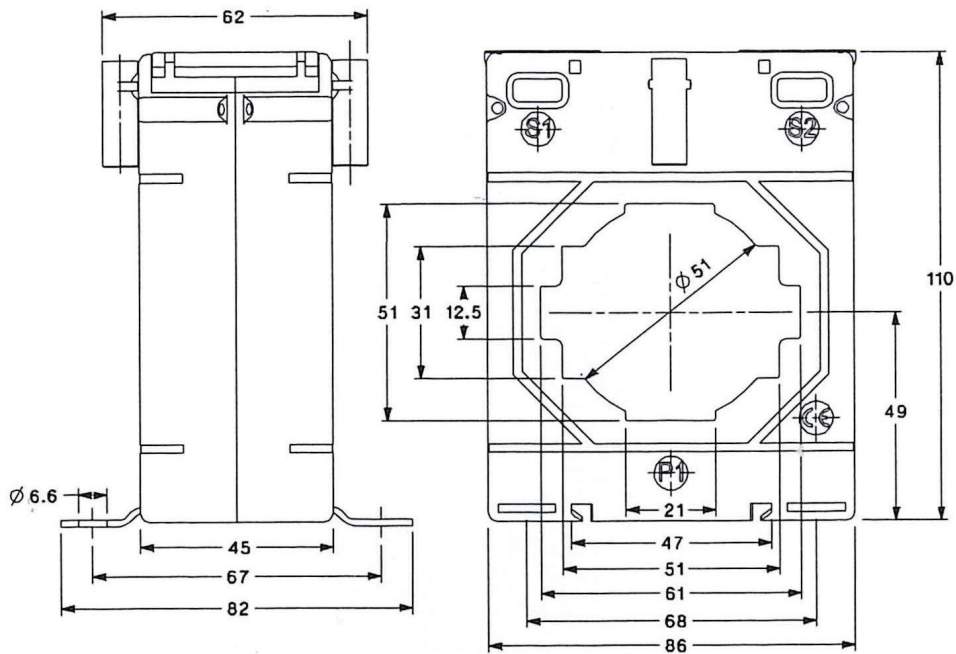
SIRAX CT220



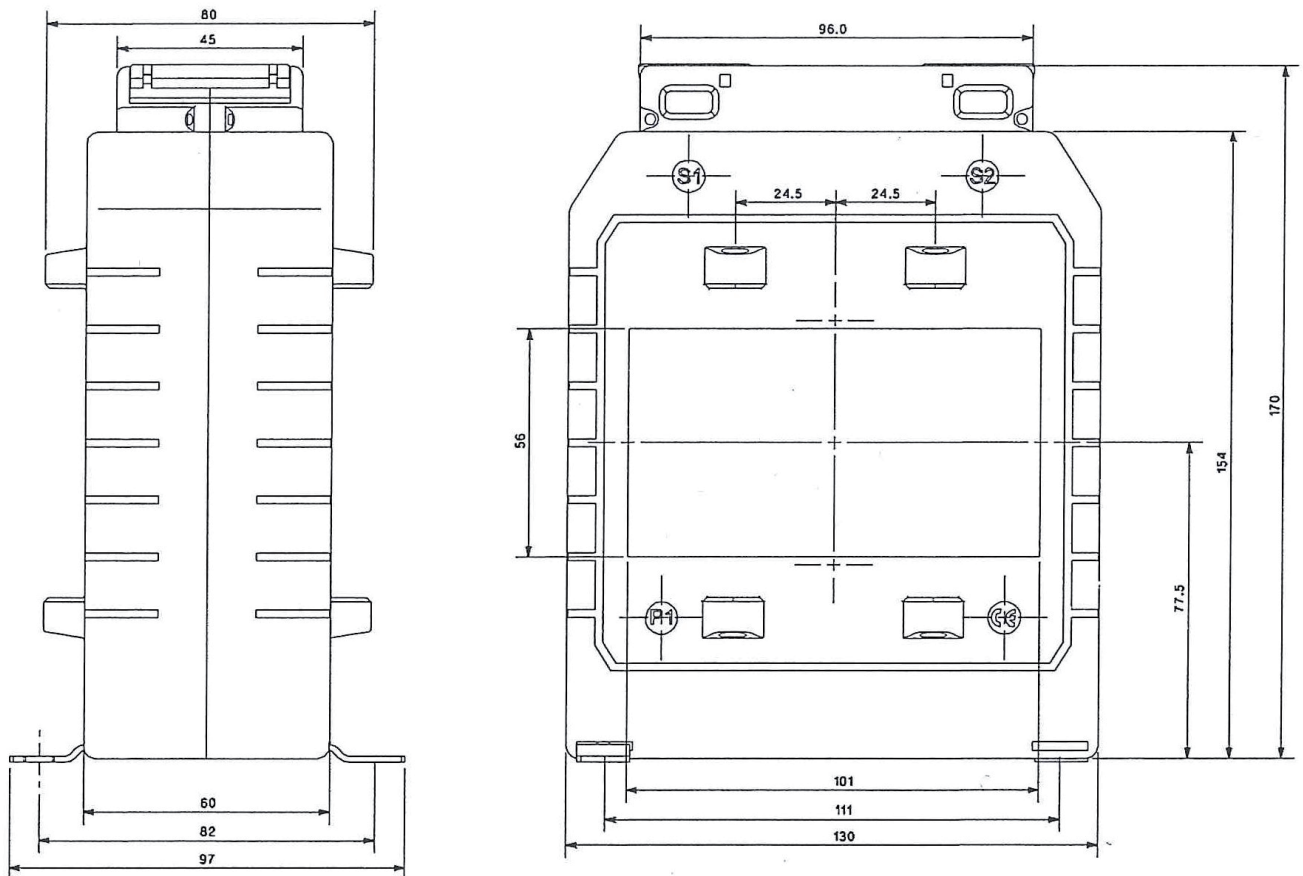
SIRAX CT2xx

Bushing-type Current Transformer

SIRAX CT230



SIRAX CT240



SIRAX CT2xx

Bushing-type Current Transformer

Performance

Type of transformer	SIRAX CT200	SIRAX CT210	SIRAX CT220		SIRAX CT230		SIRAX CT240
Accuracy class	0.5	0.5	0.2S	0.5	0.2S	0.5	0.2
Secondary currents	5 A and 1 A						5 A
Primary currents	Rated power / Instrument security factor (FS)						
50 A	1 VA / FS10	–	–	–	–	–	–
60 A	1 VA/FS5/FS10	–	–	–	–	–	–
75 A	1.5 VA / FS5	–	–	–	–	–	–
80 A	2.5 VA / FS5	–	–	–	–	–	–
100 A	2.5 VA / FS5	1.5 VA / FS5	1 VA / FS5	1.5 VA / FS5	–	–	–
120 A	2.5 VA / FS5	2.5 VA / FS5	1 VA / FS5	2.5 VA / FS5	–	–	–
125 A	3.75 VA / FS5	2.5 VA / FS5	1 VA / FS5	2.5 VA / FS5	–	–	–
150 A	5 VA / FS5	5 VA / FS5	1.5 VA / FS5	3.75 VA / FS5	–	–	–
200 A	5 VA / FS5	5 VA / FS5	2.5 VA / FS5	5 VA / FS5	–	–	–
250 A	5 VA / FS5	5 VA / FS5	2.5 VA / FS5	5 VA / FS5	–	–	–
300 A	7.5 VA / FS5	5 VA / FS5	2.5 VA / FS5	5 VA / FS5	1.5 VA / FS5	5 VA / FS5	–
400 A	–	7.5 VA/FS5/FS10	3.75 VA / FS5	7.5 VA / FS5	2.5 VA / FS5	10 VA / FS5	–
500 A	–	10 VA / FS5	5 VA/FS5/FS10	10 VA / FS5	2.5 VA / FS5	10 VA / FS5	–
600 A	–	15 VA / FS5	5 VA/FS5/FS10	15 VA / FS5	5 VA/FS5/FS10	15 VA / FS5	2.5 VA / FS5
750 A	–	–	5 VA/FS5/FS10	15 VA / FS5	5 VA / FS10	15 VA / FS5	5 VA / FS5
800 A	–	–	5 VA/FS5/FS10	15 VA / FS5	7.5 VA / FS10	20 VA / FS5	10 VA / FS5
1000 A	–	–	–	–	10 VA / FS10	20 VA / FS5	10 VA / FS5
1200 A	–	–	–	–	10 VA / FS10	20 VA / FS5	10 VA / FS10
1250 A	–	–	–	–	10 VA / FS10	20 VA / FS5	10 VA / FS10
1500 A	–	–	–	–	10 VA/FS10/FS5	20 VA/FS10/FS5	15 VA / FS5
1600 A	–	–	–	–	10 VA/FS10/FS5	20 VA / FS5	15 VA / FS
2000 A	–	–	–	–	–	–	15 VA / FS5
2500 A	–	–	–	–	–	–	15 VA / FS10
3000 A	–	–	–	–	–	–	15 VA / FS10



Camille Bauer Metrawatt AG
 Aargauerstrasse 7
 CH-5610 Wohlen / Switzerland
 Telefon: +41 56 618 21 11
 Telefax: +41 56 618 21 21
 info@camillebauer.com
 www.camillebauer.com